

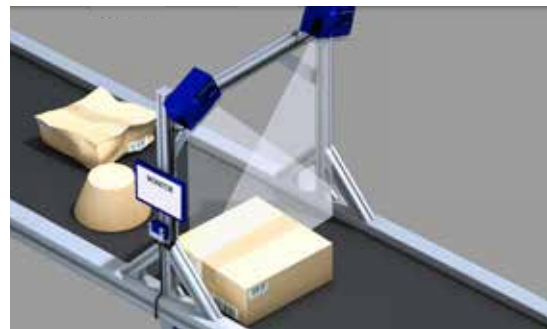
DM3610 DIMENSIONER



The DM3610 is a compact, overhead dimensioning unit that automatically measures the length, width, and height of packages as they are transported on a conveyor. The self-contained dimensioner is designed for simple installation and enables a range of applications across multiple markets including parcel, warehousing & distribution.

The DM3610 is certified in Legal-For-Trade applications and its highly accurate measurements make it the perfect solution for spatial management applications. In the 2-head configuration, the DM3610 can provide dimensions for irregular as well as cuboidal objects.

Used in conjunction with barcode scanners and scales, the DM3610 improves operations for systems such as AS/RS, trailer cubing, manifesting and revenue recovery.



HIGHLIGHTS

Accurate dimensioning at high speed:

- NTEP certified accuracy of +/- 0.2" for length and width; +/- 0.1" for height at belt speeds up to 650 fpm
- OIML certified accuracy +/- 5 mm for length, width and +/- 2 mm height at belt speeds up to 3.3 m/s

'Plug-and-Play' functionality:

- Simple parameter upload simplifies field replacement

Reliability:

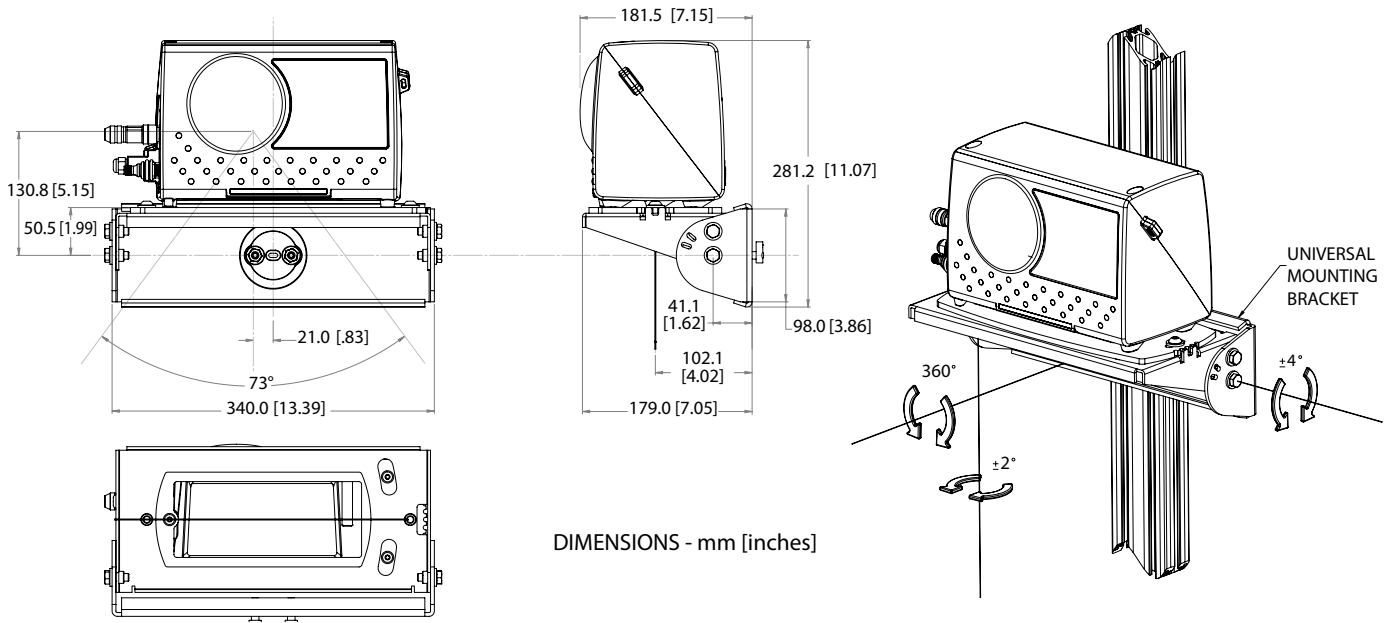
- IP65 rating
- -10 to 40 °C / 14 to 104 °F operating temperature
- Industrial M12 connectors

APPLICATIONS

Typical DM3610 Dimensioning solutions address these industries and applications:

- Courier, Express and Parcel (CEP)
- Revenue recovery
- Warehousing and Distribution
- AS/RS space allocation
- Trailer load planning
- Automated manifesting systems

MODELS AND ACCESSORIES



DIMENSIONS - mm [inches]

SPECIFICATIONS

| CONFIGURATION | DM3610 1-HEAD SOLUTION | DM3610 2-HEAD SOLUTION |
|--------------------------------|---|---|
| Material flow | Singulated Cuboidal Gap ≥ 20 mm / .08 inch | Singulated Irregular Gap ≥ 25 mm / 1 inch |
| Dimensioning Accuracy | +/- 0.2" for length and width, +/- 0.1" for height +/- 5 mm for length, width, +/- 2 mm for height | |
| Conveyor Speeds | Up to 3.3 m/s (650 fpm) | |
| Box Size (maximum) | L 4000 mm x W 1200 mm x H 1000 mm / 160 x 48 x 40 inches | |
| Box Size (minimum) | L 50 mm x W 50 mm x H 20 mm / 2.4 x 2.4 x 1.0 inches | |
| Laser Type | Visible laser diode (red) 660 nm, CDRH Class II, IEC 60825-1 Class 3R | |
| Temperature | Operating: -10 to 40 °C / 14 to 104 °F; Storage: -20 to 70 °C / -4 to 158 °F | |
| Relative Humidity | 10-90% non-condensing | |
| Power Requirements | 24 VDC +/- 10% | |
| Power Consumption | 19 W Average (75 W Max) per Head | |
| Enclosure | IP65, Aluminum | |
| Status Indicators | LEDs - STATUS, TRIGGER, TACH, READ, RX/TX, NETWORK, DIMENSION STATUS INDICATORS | |
| Communication Interfaces | Ethernet (TCP/IP), RS-232 / RS-422 / RS-485 | |
| Inputs | (1) Tachometer, (1) Trigger, (2) SW programmable general purpose | |
| Programming | On board HTML web server interface | |
| Service Options | Installation services and on-site training | |
| Warranty | 2-year limited, parts and labor | |
| Compliances | UL, cUL, FCC (Class A), CE | |
| Legal for Trade Certifications | OIML/MID, NCWM/NTEP*, Measurement Canada | |