

Kiosk Panel PC

MBPC-K304

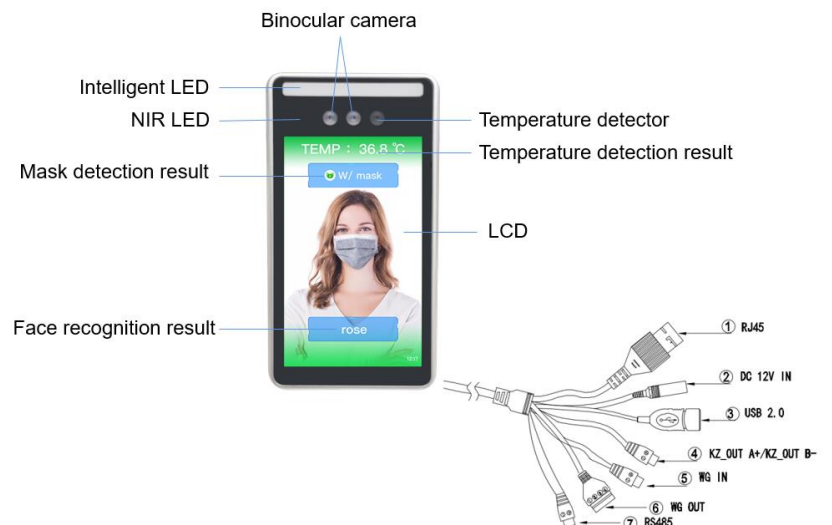
8" TFT LCD, Hisilicon 3516DV300 CPU, 1* LAN, 1*USB2.0, 1*Digital output, 1*Wiegand In, 1*Wiegand Out, 1*RS485



Key Features

- Built-in high-performance NPU
- Linux operating system, high reliability
- 3 working modes: face recognition, mask detection and temperature detection
- Auto temperature detection, auto display, auto alarm
- Enables liveness detection
- Enables track dynamic faces in backlit environments
- Patent owned facial recognition algorithm, able to recognize faces with high accuracy, response time < 0.50s
- Enables body temperature detection, range is between 32°C ~ 42°C, with discrepancy ±0.30°C
- Capable of storing 24,000+ facial image and up to 50,000 capture record
- Supports multiple interfaces (RS485/ WG IN/ WG OUT/ LAN/USB2.0/DO)
- 8 inches HD display, image display without delay
- Automatic gain and auto white balance, able to exhibit the true color of the image
- Built-in black light level sensor, low-light recognition is in high accuracy
- 2D/3D noise reduction anti-fog technology, low-light recognition smoothing capability
- Supports intelligent light filled setting
- MTBF > 50,000h
- Working environment: -20°C~60°C, When 15 °C ~35°C, the measurement accuracy is guaranteed to be ±0.30°C by algorithm compensation

MBPC-K304 is a kiosk panel PC for AI face recognition temperature detection . MBPC-K304 has the capability to detect temperature abnormality without physical contact in different scenes, alert people with abnormal body temperature, recognize facial identity wearing the mask, or without mask. In the meantime, it enables data analysis & trace it back to its original source, facilitates the management to make better decision based on scientific evidence, ensure safety and significantly improve efficiency.



*All specifications and photos are subject to change without notice.

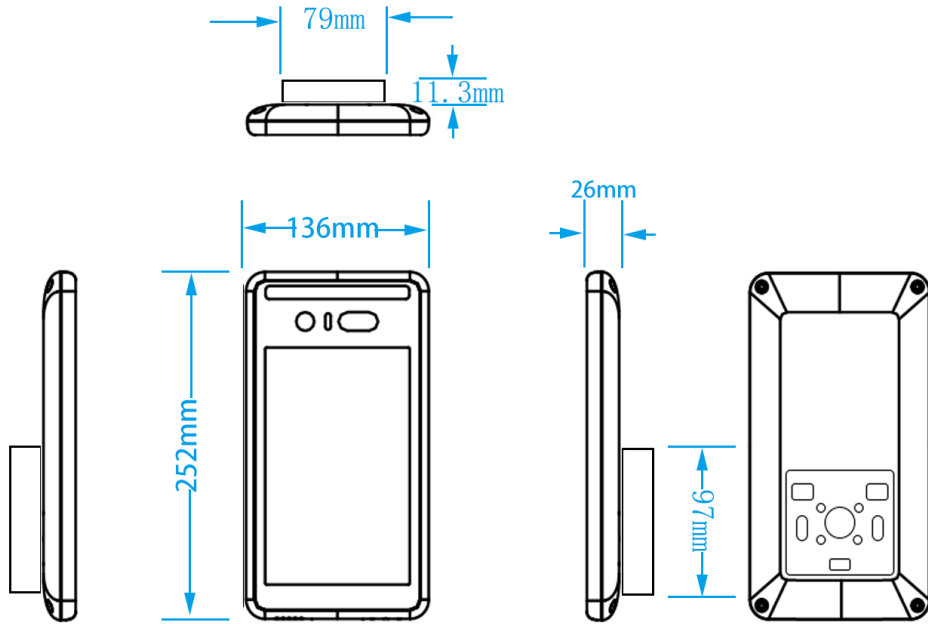
System	OS	Linux CentOS4.9
	LCD	8" TFT LCD
	CPU	Hisilicon 3516DV300
	RAM	DDR3 1GB
	FLASH	16GB
	Camera	2.1MP Binocular camera RGB resolution ratio: 1920×1080
	LED	White light, RGB camera supplementary light source
	Image Sensor	1/2.8" Progressive Scan CMOS
Interface	Digital output	1 digital output
	LAN	1 RJ45 10M / 100M adaptive Ethernet port
	USB	1 USB
	Wiegand	1 WG in, 1 WG out
	RS485	RS485 port x 1
	Power supply	DC 12V
Temperature module	Method of measurement	Dot-matrix thermal imaging
	Resolution	32*32 array
	Temperature sampling	Multi-point
	Measuring rate	0.50 seconds
	Accuracy	±0.30°C (In the room with no wind and no strong heat source, and the distance is within 30-45cm)
	Measuring distance	The maximum detection distance : 30-80 cm The optimal temperature measuring distance : 30-45 cm(forehead)
	Range	32°C to + 42 °C
	Optimal ambient temperature	15°C~35°C
Mechanical	Structure	Aluminum alloy
	Color	Silver
	Mounting (Optional)	Standard wall mounting bracket Desktop mounting bracket Floor mounting bracket(Optional 9CM、60CM、110CM)
	Dimension	(W*D*H) : 252*136*26mm
	Net weight	1.7KG
Other	Certification	CE, FCC ClassB

Ordering Info.

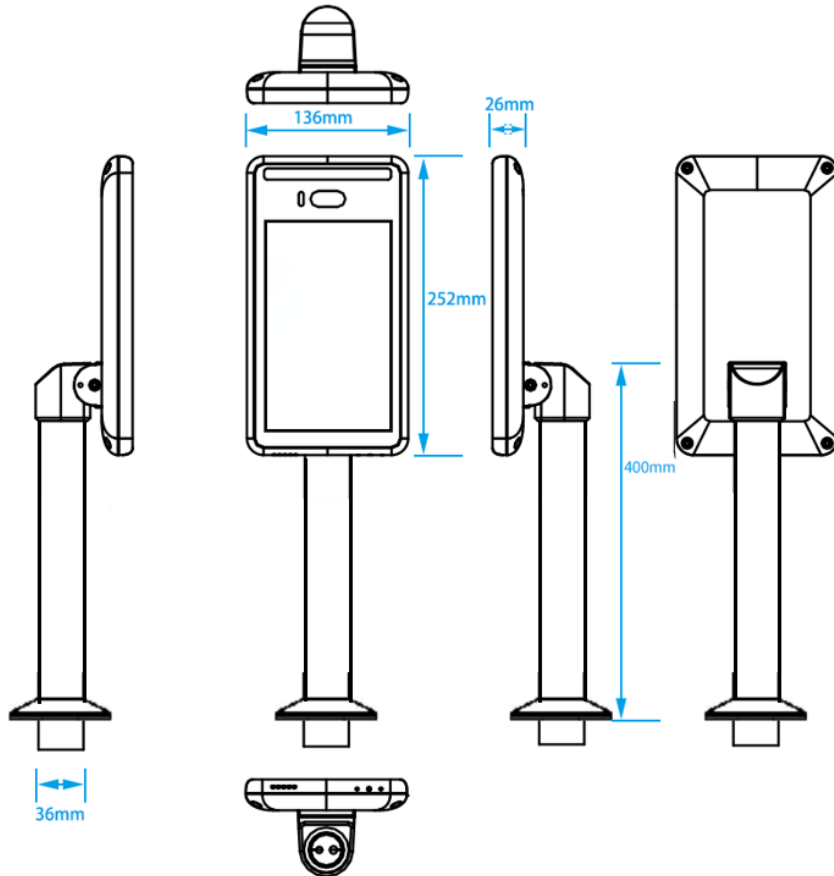
Model No.	Introduction
MBPC-K304-S001	Kiosk Panel PC, Hisilicon 3516DV300 CPU , DDR3 1GB, 8" TFT LCD, 1* LAN, 1*RS485, 1*USB2.0, 1*Wiegand In, 1*Wiegand Out, 1*Digital output, 1*2.1MP Binocular Camera, Wall mounting bracket
MBPC-K304-S002	Kiosk Panel PC, Hisilicon 3516DV300 CPU, DDR3 1GB, 8" TFT LCD, 1* LAN, 1*RS485, 1*USB2.0, 1*Wiegand In, 1*Wiegand Out, 1*Digital output, 1*2.1MP Binocular Camera, 40cm Desktop mounting bracket
MBPC-K304-S003	Kiosk Panel PC, Hisilicon 3516DV300 CPU, DDR3 1GB, 8" TFT LCD, 1* LAN, 1*RS485, 1*USB2.0, 1*Wiegand In, 1*Wiegand Out, 1*Digital output, 1*2.1MP Binocular Camera, 20cm Desktop mounting bracket
AC/DC power adapter	KPL-040F-V1, DC12V/3.33A 40W
All mounting bracket	Please contact your sales for confirmation of the detailed order specification.

*All specifications and photos are subject to change without notice.

MBPC-K304-S001



MBPC-K304-S002



*All specifications and photos are subject to change without notice.
www.jhctech.com © 2020 Jhctech.Co., Ltd.All rights reserved.
Updated May. 26th, 2020